

REVISIONS						DATE	APPROVED
ECN	SHEET	ZONE	REV.	BRIEF DESCRIPTION (SEE ECN FOR COMPLETE CHANGE DETAILS)			
72745			NC	NEW RELEASE		9/26/18	R. Lay

\*\*\*\* EXPORT CONTROLLED DOCUMENT - EAR \*\*\*\*  
 The information in this document is subject to the Export Controls in accordance with the Export Administration Regulations. Diversion contrary to U.S. Law is prohibited.

This print and associated documents and the contained information are the confidential property of CARLISLE INTERCONNECT TECHNOLOGIES. Disclosure of, and/or reproduction of, all or part thereof or manufacture of any part from information contained on this print not specifically permitted by CARLISLE INTERCONNECT TECHNOLOGIES in writing is forbidden.

CAD GENERATED DOCUMENT  
 ANY CHANGES TO THIS DOCUMENT MUST BE SUBMITTED TO THE DESIGN/DRAFTING DEPARTMENT FOR PROPER UPDATE

**NOTES: UNLESS OTHERWISE SPECIFIED**

- LABEL CABLES AND INSTALL BLACK ADHESIVE SHRINK TUBING ON CONNECTORS PER ECS WORK INSTRUCTION W1007.
- INCLUDE APPROPRIATE TEST DOCUMENTATION WITH EACH SET.
- COAXIAL CABLE ASSEMBLY LENGTH TOLERANCE, UNLESS OTHERWISE NOTED;

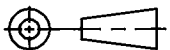
LENGTH	≤ 12	>12 ≤ 120	> 120
TOL	+0.5/-0.0	+3.5/-0.0	+5.5/-0.0

- TEST TO BE PERFORMED PER MI305 AND THE FOLLOWING:  
 TEST -01 AND -02 CABLES WITH MARKER SET AT 1800 MHz.  
 TEST -03 THRU -08 CABLES WITH MARKERS SET AT 2400 AND 5000 MHz.  
 ATTENUATION: < 5 dB FOR EACH CABLE.  
 VSWR ≤ 1.7:1 FOR EACH CABLE.

5. CONNECT P/N 132170 TO P/N CSS122 WHEN USING CABLE P/NS 421201 AND 311201.

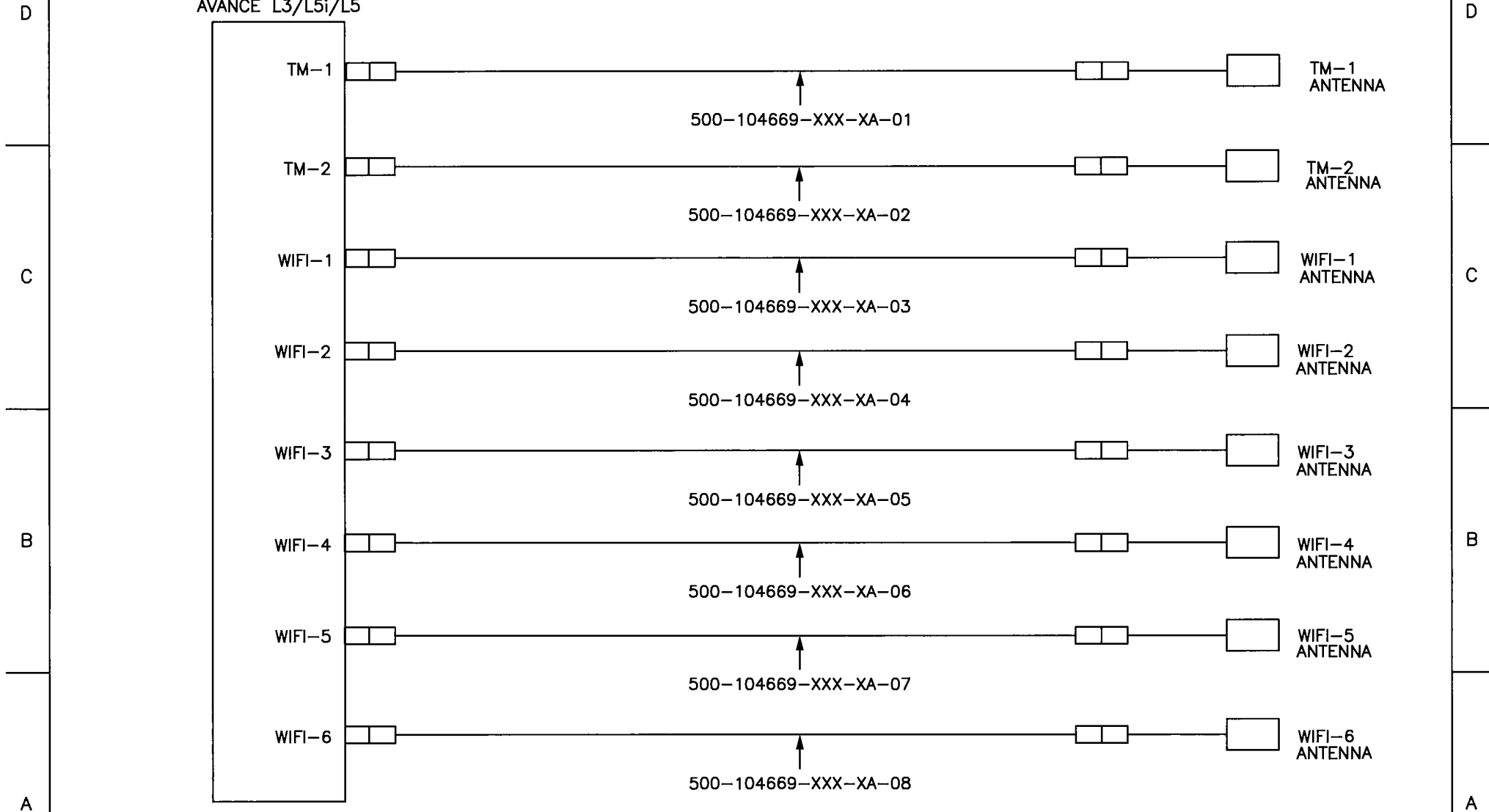
500-104669-XXX-XA-08	WIFI-6 RF COAX CABLE	8
500-104669-XXX-XA-07	WIFI-5 RF COAX CABLE	7
500-104669-XXX-XA-06	WIFI-4 RF COAX CABLE	6
500-104669-XXX-XA-05	WIFI-3 RF COAX CABLE	5
500-104669-XXX-XA-04	WIFI-2 RF COAX CABLE	4
500-104669-XXX-XA-03	WIFI-1 RF COAX CABLE	3
500-104669-XXX-XA-02	TM-2 RF COAX CABLE	2
500-104669-XXX-XA-01	TM-1 RF COAX CABLE	1
COMPONENTS PART NO. OR IDENTIFYING NO.	NOMENCLATURE OR DESCRIPTION	ITEM NO.

PART LIST

UNLESS OTHERWISE SPECIFIED: ALL DIMENSIONS ARE IN INCHES TOLERANCES: XX ± .03 XXX ± .01	ALL LENGTHS IN INCHES DRAWN S SHAFFER 9/13/18 CHECKED R. Lay 9/26/18 DESIGNED R LAY 9/13/18	<b>CARLISLE</b> Carlisle Interconnect Technologies Franklin, WI 53132 414-421-5300
THIRD ANGLE PROJECTION 	PROJECT MANUFACTURING ENGINEERING	TITLE: AVANCE L3/L5i/L5 TM/WIFI COAX CABLES
	SIZE CAGE CODE C 66197	LEVEL 500-104669
	SCALE:	EFFECTIVITY: NONE
		SHEET: 1 OF 5

\*\*\*\* EAR CONTROLLED \*\*\*\*

AVANCE L3/L5i/L5

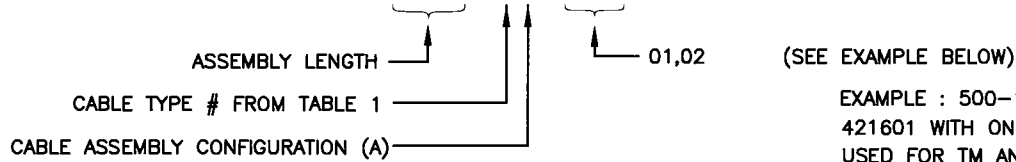


<b>CARLISLE</b>		Carlisle Interconnect Technologies Franklin, WI 53132 414-421-5300	
SIZE	CASE CODE	LEVEL	DRG. NO.
	66197		500-104669
SCALE:	EFFECTIVITY:	NONE	SHEET: 2 OF 5

\*\*\*\* EAR CONTROLLED \*\*\*\*

# TM ANTENNA CABLE ASSEMBLY PART NUMBER

P/N 500-104669-XXX-XA-XX (ALL LENGTHS IN INCHES)



EXAMPLE : 500-104669-320-2A-01 = 320" ASSEMBLY OF 421601 WITH ONE CSS922 AND ONE 132241 USED FOR TM ANTENNA 1.

## CABLE ASSEMBLY CONFIGURATIONS

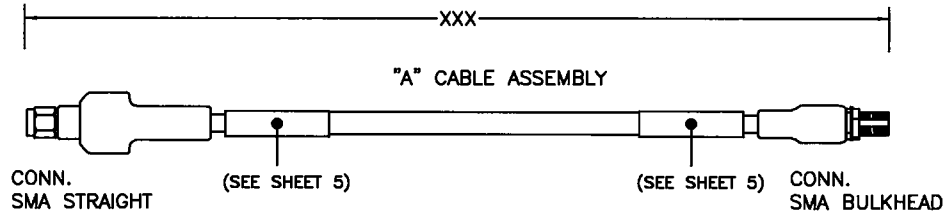


TABLE 2 (COAX CONNECTOR & LABELS)

TABLE 1 (COAX CABLE TYPE)

5	6	311201	720 INCHES
	5	421201	660 INCHES
	#	CABLE TYPE	MAXIMUM LENGTH

2	TMS-SCE-1/2-2.0-9	1/2 INCH HEAT SHRINK (LABEL)
1	132170	SMA FEMALE TO SMA FEMALE BULKHEAD ADAPTER
2	CSS122	STRAIGHT SMA PLUG FOR 421201, 311201
CONFIGURATION A	PART NUMBER	DESCRIPTION

4	311501	576 INCHES
3	311601	480 INCHES
2	421601	480 INCHES
#	CABLE TYPE	MAXIMUM LENGTH

2	TMS-SCE-3/8-2.0-9	3/8 INCH HEAT SHRINK (LABEL)
1	132241	SMA BULKHEAD JACK
1	CSS922	STRAIGHT SMA PLUG FOR 421601, 311601, 311501
CONFIGURATION A	PART NUMBER	DESCRIPTION

1	311901	345 INCHES
#	CABLE TYPE	MAXIMUM LENGTH

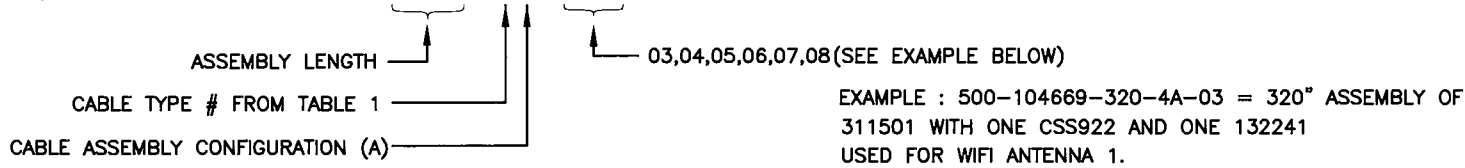
2	TMS-SCE-3/8-2.0-9	3/8 INCH HEAT SHRINK (LABEL)
1	132191	SMA BULKHEAD JACK
1	CSS722	STRAIGHT SMA PLUG FOR 311901
CONFIGURATION A	PART NUMBER	DESCRIPTION

<b>CARLISLE</b>		Carlisle Interconnect Technologies Franklin, WI 53132 414-421-5300	
SIZE	CAGE CODE	LEVEL	DWG. NO.
C	66197		500-104669
SCALE:	EFFECTIVITY:	NONE	SHEET: 3 OF 5

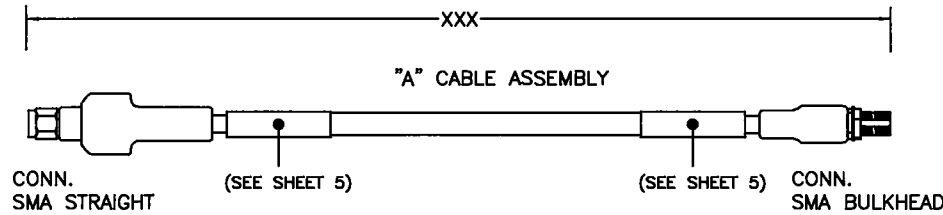
\*\*\*\* EAR CONTROLLED \*\*\*\*

# WIFI ANTENNA CABLE ASSEMBLY PART NUMBER

P/N 500-104669-XXX-XA-XX (ALL LENGTHS IN INCHES)



## CABLE ASSEMBLY CONFIGURATIONS



**TABLE 2 (COAX CONNECTOR & LABELS)**

**TABLE 1 (COAX CABLE TYPE)**

5	6	311201	438 INCHES
	5	421201	384 INCHES
	#	CABLE TYPE	MAXIMUM LENGTH

2	TMS-SCE-1/2-2.0-9	1/2 INCH HEAT SHRINK (LABEL)
1	132170	SMA FEMALE TO SMA FEMALE BULKHEAD ADAPTER
2	CSS122	STRAIGHT SMA PLUG FOR 421201, 311201
CONFIGURATION A	PART NUMBER	DESCRIPTION

4	4	311501	348 INCHES
	3	311601	288 INCHES
	2	421601	288 INCHES
#	CABLE TYPE	MAXIMUM LENGTH	

2	TMS-SCE-3/8-2.0-9	3/8 INCH HEAT SHRINK (LABEL)
1	132241	SMA BULKHEAD JACK
1	CSS922	STRAIGHT SMA PLUG FOR 421601, 311601, 311501
CONFIGURATION A	PART NUMBER	DESCRIPTION

1	1	311901	198 INCHES
	#	CABLE TYPE	MAXIMUM LENGTH

2	TMS-SCE-3/8-2.0-9	3/8 INCH HEAT SHRINK (LABEL)
1	132191	SMA BULKHEAD JACK
1	CSS722	STRAIGHT SMA PLUG FOR 311901
CONFIGURATION A	PART NUMBER	DESCRIPTION

**CARLISLE** Carlisle Interconnect Technologies  
Franklin, WI 53132  
414-421-5300

SIZE	CAGE CODE	LEVEL	DWG. NO.
C	666197		500-104669
SCALE:	EFFECTIVITY:	NONE	SHEET: 4 OF 5

4

3

2

1

DWG. NO.	SHEET	REV.
500-104669	5	NC

\*\*\*\* EAR CONTROLLED \*\*\*\*

D

D

C

C

B

B

A

A

CABLE LABELING

500-104669-XXX-XA-01  
SER# EXXXXX  
TM ANT 1

500-104669-XXX-XA-02  
SER# EXXXXX  
TM ANT 2

500-104669-XXX-XA-03  
SER# EXXXXX  
WIFI ANT 1

500-104669-XXX-XA-04  
SER# EXXXXX  
WIFI ANT 2

500-104669-XXX-XA-05  
SER# EXXXXX  
WIFI ANT 3

500-104669-XXX-XA-06  
SER# EXXXXX  
WIFI ANT 4

500-104669-XXX-XA-07  
SER# EXXXXX  
WIFI ANT 5

500-104669-XXX-XA-08  
SER# EXXXXX  
WIFI ANT 6

<b>CARLISLE</b>				Carlisle Interconnect Technologies Franklin, WI 53132 414-421-5300	
SIZE	CASE CODE	LEVEL	DWG NO.	500-104669	
C	66197				
SCALE:	EFFECTIVITY:	NONE		SHEET: 5 OF 5	

4

3

2

1