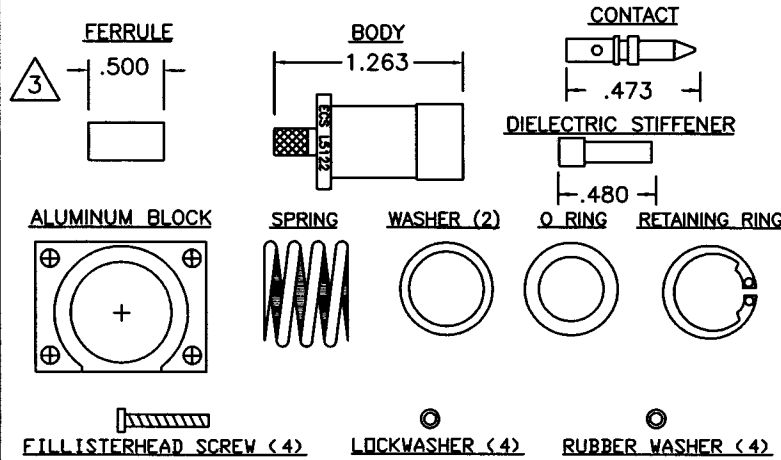


This print and associated documents and the contained information are the confidential property of ELECTRONIC CABLE SPECIALISTS. Disclosure of, and/or reproduction of, all or part thereof or manufacture of any part from information contained on this print not specifically permitted by ELECTRONIC CABLE SPECIALISTS in writing is forbidden.



SPECIFICATIONS

ELECTRICAL

IMPEDANCE: 50 OHMS NOMINAL  
 FREQUENCY RANGE: 0-6 GHz  
 VSWR: 1.70:1 MAXIMUM  
 INSERTION LOSS: 0.3 dB @ 6 GHz  
 WORKING VOLTAGE: 1000 VRMS @ SEA LEVEL  
 DIELECTRIC WITHSTANDING: 2500 VRMS @ SEA LEVEL  
 INSULATION RESISTANCE: 5000 MEGOHMS MINIMUM @ 500 VOLTS DC

MECHANICAL

MECHANICAL INTERFACE PER ARINC SPEC 600 FIGURE 19-54.2  
 TERMINATION STYLE: INNER CONTACT-SOLDER OR CRIMP  
 OUTER CONTACT-FERRULE CRIMP  
 CABLE RETENTION: 20 LBS

ENVIRONMENTAL

TEMPERATURE RATING: -65° TO +200°  
 VIBRATION: MIL-STD-202, METHOD 204, COND. B  
 SHOCK: MIL-STD-202, METHOD 213, COND. 1  
 THERMAL SHOCK: MIL-STD-202, METHOD 107, COND. B  
 CORROSION: MIL-STD-202, METHOD 101, COND. B  
 MOISTURE RESISTANCE: MIL-STD-202, METHOD 106

MATERIALS

BODY: BRASS PER ASTM B16  
 FERRULE: ANNEALED BRASS PER ASTM B16  
 CABLE CONTACT: BRASS PER ASTM B16  
 CENTER CONTACT: BERYLLIUM COPPER PER ASTM B196  
 DIELECTRIC: TEFLON PER D1710

FINISHES

FERRULE: BRIGHT NICKEL PER QQ-N-290  
 BODY, CENTER CONTACT: GOLD PER MIL-G-45204

INSTALLATION INSTRUCTIONS

- BEGIN BY CUTTING THE CABLE OFF SQUARE.
- STRIP THE CABLE AS SHOWN, BEGINNING WITH L1 AND ENDING WITH L2. TAKE CARE NOT TO NICK THE CONDUCTORS WHILE STRIPPING THE DIELECTRIC AND JACKET. THE USE OF A STRIPPER DESIGNED FOR COAXIAL CABLE IS RECOMMENDED.
- SLIDE THE FERRULE AND ADHESIVE SHRINK TUBING OVER THE END OF THE CABLE.
- USING TWEEZERS, FOLD THE OUTER BRAID BACK OVER THE CABLE JACKET, LEAVING AS MUCH WEAVE AS POSSIBLE.
- SLIT FOIL LONGITUDINALLY AND FOLD BACK OVER THE OTHER SHIELD.
- REMOVE THE DIELECTRIC FROM THE CENTER CONDUCTOR BACK APPROXIMATELY .60 INCHES FROM THE END OF THE CONDUCTOR. BE CAREFUL NOT TO NICK THE CENTER CONDUCTOR. THERMAL STRIPPERS ARE RECOMMENDED. LEAVE APPROXIMATELY .09 INCHES OF DIELECTRIC ON THE CABLE FOR THE CUP IN THE STIFFENER.
- INSTALL DIELECTRIC STIFFENER OVER CENTER CONDUCTOR AND THE CABLE DIELECTRIC MAKING SURE THAT CABLE DIELECTRIC IS FULLY SEATED INSIDE CUPPED END OF DIELECTRIC STIFFENER.
- ENSURE THAT THE CONTACT IS BUTTED AGAINST THE DIELECTRIC STIFFENER. TERMINATE CONTACT USING METHOD A OR B.
  - SOLDER CONTACT ONTO CENTER CONDUCTOR, PER MIL-STD-2000, USING 63Sn/37Pb SOLDER. CLEAN FLUX RESIDUE USING APPROPRIATE CLEANER.
  - CRIMP CONTACT ONTO CENTER CONDUCTOR USING A M22520/5-09 DIE (B HEX). IN A M22520/5-01 TOOL FRAME.

REVISIONS					
ECN	ZONE	REV.	DESCRIPTION	DATE	APPROVED
13939	-	N/C	NEW RELEASE	7/6/01	D KNOLL
17356	-	A	CHANGED STIFFENER AND STRIPPING DIM'S	4/16/03	David Knoll

- SLIDE THE BODY OF THE CONNECTOR OVER THE END OF THE CABLE UNTIL THE NOTCH IN THE CONTACT SEATS INTO THE RIDGE INSIDE THE CONNECTOR DIELECTRIC. **CAUTION:** PUSH CABLE INTO THE CONNECTOR STRAIGHT TO AVOID KINKING THE CABLE.

- FOLD BOTH SHIELDS BACK OVER THE NECK OF THE CONNECTOR BODY.

- SLIDE THE FERRULE UP OVER THE SHIELDS AND AGAINST THE CONNECTOR BODY. TRIM AWAY ANY EXCESS BRAID. CRIMP THE FERRULE ONCE, NEXT TO THE BODY, USING THE M22520/5-09 DIE (A HEX) IN A M22520/5-01 TOOL FRAME. APPLY ADHESIVE HEAT SHRINK.

NOTES

- 1 ENSURE HEAT SHRINK IS INSTALLED PRIOR TO CRIMPING CONNECTOR.
- 2 ADHESIVE HEAT SHRINK SHOULD BE APPLIED IN ACCORDANCE WITH ECS WORK INSTRUCTION WI007. CONTACT ECS FOR A COPY OF THIS WORK INSTRUCTION.
- 3 CONNECTOR DIMENSIONS ARE FOR REFERENCE ONLY.

ALL LENGTHS IN INCHES		ELECTRONIC CABLE SPECIALISTS FRANKLIN, WI 53132 PHONE: (414) 421-5300	
APPROVALS	DATE	TITLE: <b>CUSTOMER SPECIFICATION</b>	
DRAWN BY: P. PHALPHOUVONG	06/06/01	SIZE 1, ARINC 600 RF COAX CONNECTOR FOR ECS CABLE 432101 AND 532101	
CHECKED BY: C. CHAPMAN	7/6/01	SIZE	CAGE CODE
DESIGNED BY:		B	66197
PROJECT ENG:		LEVEL	PART NO.
ENG. MGR: DAVID E. KNOLL	7/6/01		L5122
SCALE:		F:\STORAGE\E\SPEC\CONN\INST\L5122-1-1 SHEET: 1 OF 2	

4

3

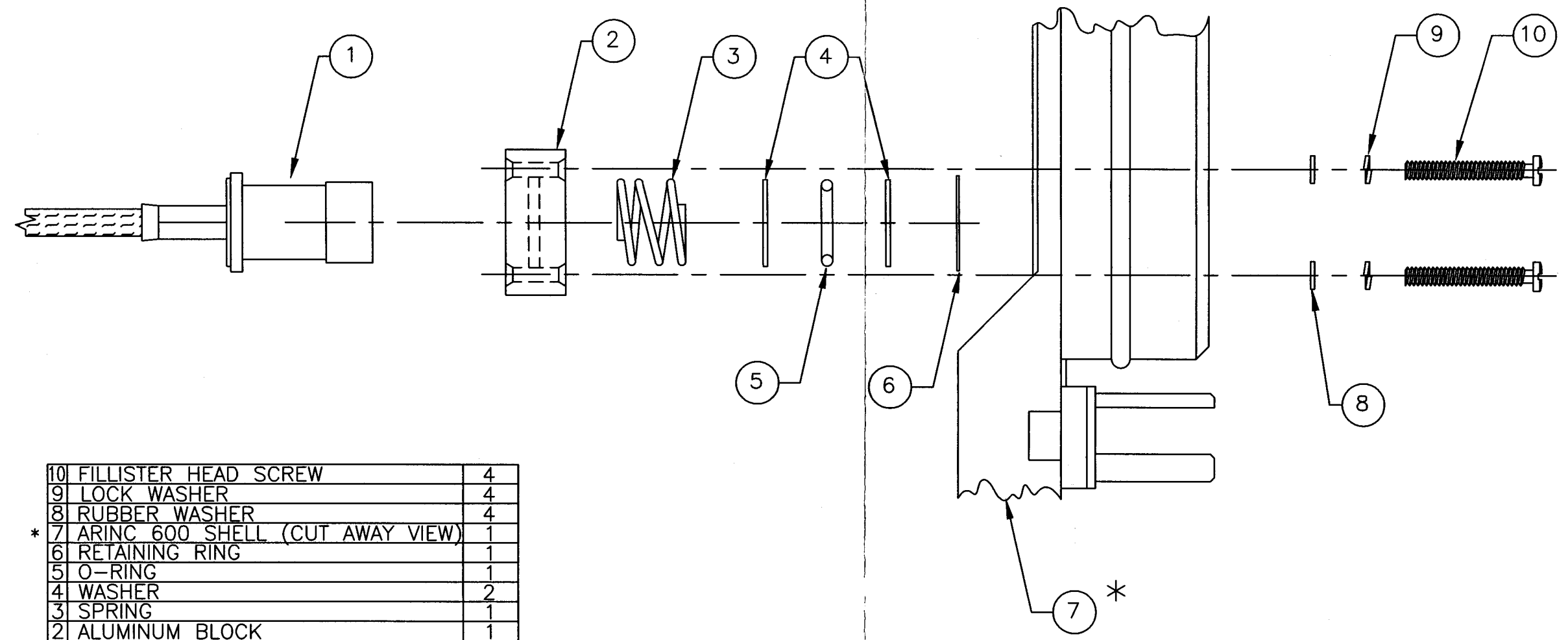
1

This print and associated documents and the contained information are the confidential property of ELECTRONIC CABLE SPECIALISTS. Disclosure of, and/or reproduction of, all or part thereof or manufacture of any part from information contained on this print not specifically permitted by ELECTRONIC CABLE SPECIALISTS in writing is forbidden.


INSTALLATION INSTRUCTIONS-RETAINING HARDWARE

1. SLIDE ITEMS 2 THRU 6 ONTO ITEM 1 IN THE ORDER SHOWN.
  2. COMPRESS ITEM 3 UNTIL ITEM 6 SNAPS INTO PLACE BENEATH THE RIDGE OF ITEM 1.
  3. INSERT ITEM 1 AND ITS ACCOMPANYING HARDWARE INTO ITEM \*7. ITEM 2 MAY HAVE TO BE ROTATED TO INSURE PROPER SEATING.
  4. SLIDE ITEMS 8 AND 9 ONTO ITEM 10 IN THE ORDER SHOWN.
  5. SCREW ITEM 10 AND ITS ACCOMPANYING HARDWARE THROUGH ITEM \*7 INTO ITEM 2. TIGHTEN ITEM 10 TO 2.0 - 2.9 IN-LBS TORQUE.
  6. REPEAT STEPS 4 & 5 FOR REMAINING HARDWARE.
- \* NOT SUPPLIED WITH L-SERIES CONNECTOR.

NOTE: ASSEMBLE CONNECTOR BODY TO CABLE PER SHEET 1 OF THIS DRAWING.



10	FILLISTER HEAD SCREW	4
9	LOCK WASHER	4
8	RUBBER WASHER	4
* 7	ARINC 600 SHELL (CUT AWAY VIEW)	1
6	RETAINING RING	1
5	O-RING	1
4	WASHER	2
3	SPRING	1
2	ALUMINUM BLOCK	1
1	L TYPE CONNECTOR ATTACHED TO CABLE	1
ITEM NUMBER	DESCRIPTION	QTY EACH

 <b>ELECTRONIC CABLE SPECIALISTS</b> FRANKLIN, WI 53132 PHONE: (414) 421-5300			
SIZE	CAGE CODE	LEVEL	PART NO.
B	66197		L5122
SCALE:		FILE NO: F:\E\SPEC\CONN\INST\L5122-2-1	SHEET: 2 OF 2

4

3

2

1