

## FAA STC ST02612CH | EASA STC 03120

### Installation of AD Aerospace Cockpit Door Monitoring system on Airbus A318, A319, A320 & A321 Series Aircraft

#### OVERVIEW

- » FAA STC ST02612CH
- » European Aviation Safety Agency (EASA) STC 03120

*Enables approved installation of AD Aerospace Cockpit Door Monitoring System in accordance with Electronic Cable Specialists (ECS) master data list ECS-206333.*

#### YOUR NEEDS

Enhance operational safety and security by introducing the ability to monitor cockpit door surroundings.

#### YOUR BENEFITS

Installation the AD Aerospace Cockpit Door Monitoring System in accordance with STC ST02612CH allows the flight crew the ability to monitor the cabin area immediately aft of the cockpit door without opening the cockpit door. Several countries require cockpit door surveillance for commercial aircraft to operate in international airspace.

#### STC AIRCRAFT EFFECTIVITY

- » Airbus A318-111/-112/-121/-122 series aircraft
- » Airbus A319-111/-112/-113/-114/-115/-131/-132/-133 series aircraft
- » Airbus A320-111/-211/-212/-214/-231/-232/-233 series aircraft
- » Airbus A321-111/-112/-131/-211/-212/-213/-231/-232 series aircraft

#### STC CONFIGURATIONS & LIMITATIONS

##### Configuration 1: CDMS installation, dual monitors, and control panels with three cameras.

- » XM Weather Receiver and Data Port Installation
- » The CDMS consists of three cameras mounted in the area aft of the flight deck door and a monitor and control panel located on the captain's and first officer's outboard waste bin and headset compartments. One camera is mounted above the cockpit door, one camera is mounted above the right cabin door, and one camera is mounted above the left cabin door. The monitors, control panels, and cameras interface with a video switch unit, which is mounted above the ceiling, near the right cabin door, and just aft of the flight deck door.

- » The video switch unit is connected to the 28 VDC bus (28 VDC is supplied to the monitors and cameras from the video switch unit).
- » The CDMS is protected by the following circuit breakers located on the avionics circuit breaker panel.

Label	Function	Rating	Bus
CDMS	CDMS Circuit Breaker	2 amp	28 VDC Bus 1

STC Limitations: None

#### MECHANICAL CHANGES

- » Two cameras are installed in the forward galley ceiling and one camera is installed above the cockpit door.
- » One control panel and one video monitor are mounted on the left side of the captain's seat. The mounting provisions are installed in the area previously occupied by the captain's wastebasket.
- » One control panel and one video monitor are mounted on the right side of the first officer's seat. The mounting provisions are installed in the area previously occupied by the first officer's wastebasket.
- » A video switching unit is installed above the forward galley ceiling.
- » Refer to the following Figures for additional details.

#### ELECTRICAL CHANGES

- » Power, ground, and data wiring is installed between the three camera connectors and an associated video switch connector.
- » Power, ground, and data wiring is installed between each monitor connector, control panel connector, and a video switch connector.
- » A 28VDC circuit breaker is installed and connected to a sheddable, non-essential bus. A wire is installed to connect the circuit breaker with the video switch.

## FAA STC ST02612CH | EASA STC 03120

Installation of AD Aerospace Cockpit Door Monitoring system on Airbus A318, A319, A320 & A321 Series Aircraft

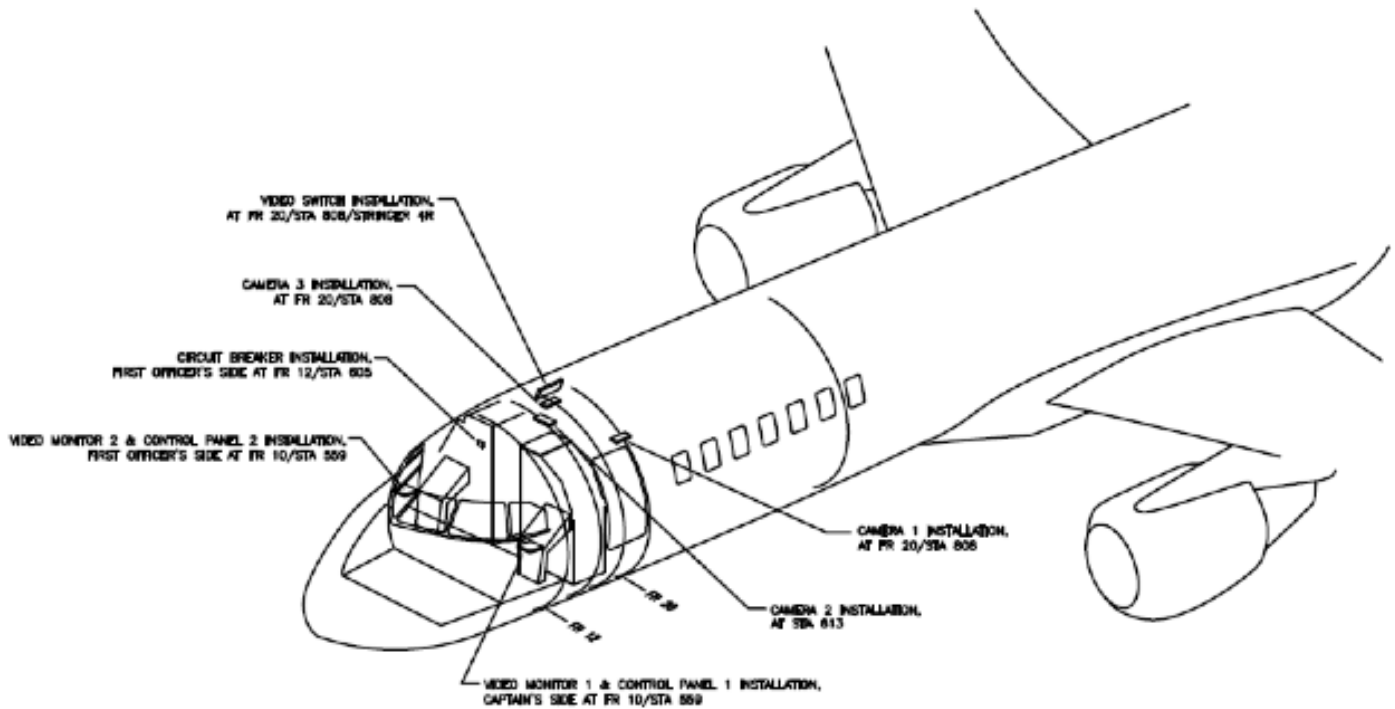


FIGURE 1 - INSTALLATION OVERVIEW

## FAA STC ST02612CH | EASA STC 03120

Installation of AD Aerospace Cockpit Door Monitoring system on Airbus A318, A319, A320 & A321 Series Aircraft

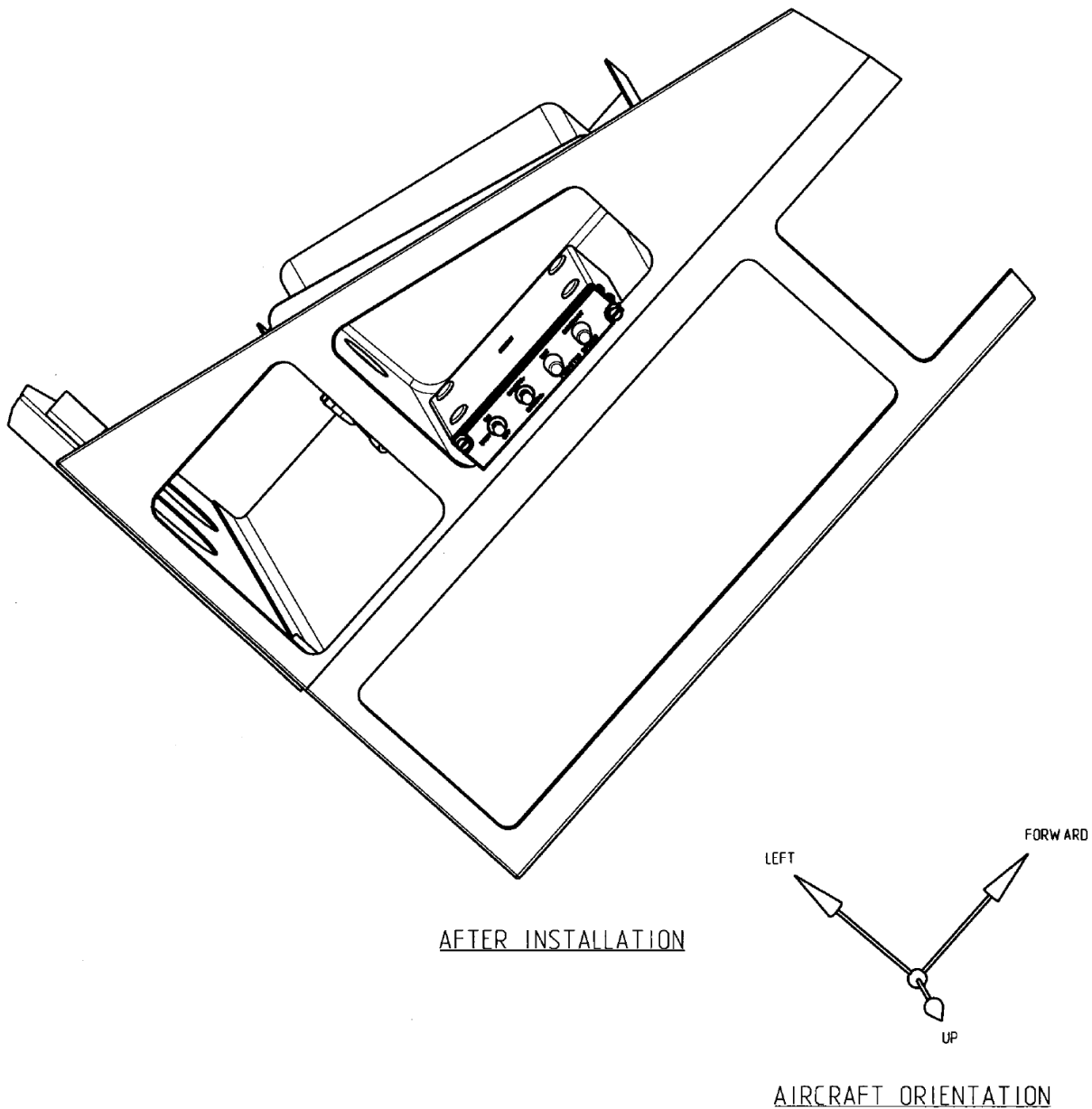
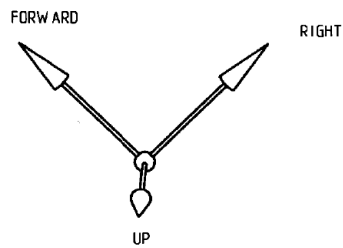
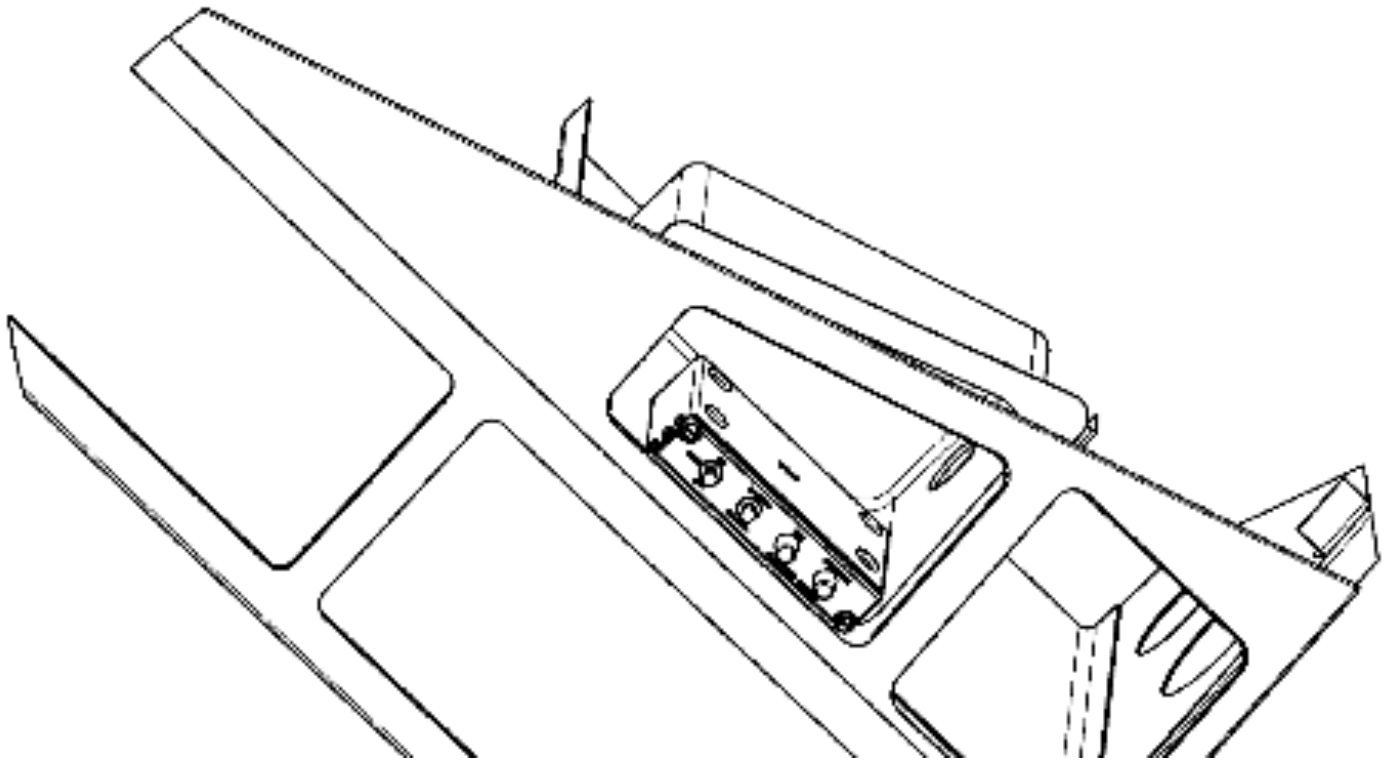


FIGURE 2 - CDMS CONTROL PANEL INSTALLATION, PILOT

## FAA STC ST02612CH | EASA STC 03120

Installation of AD Aerospace Cockpit Door Monitoring system on Airbus A318, A319, A320 & A321 Series Aircraft



AIRCRAFT ORIENTATION

FIGURE 3 - CDMS CONTROL PANEL INSTALLATION, FIRST OFFICER

## FAA STC ST02612CH | EASA STC 03120

Installation of AD Aerospace Cockpit Door Monitoring system on Airbus A318, A319, A320 & A321 Series Aircraft

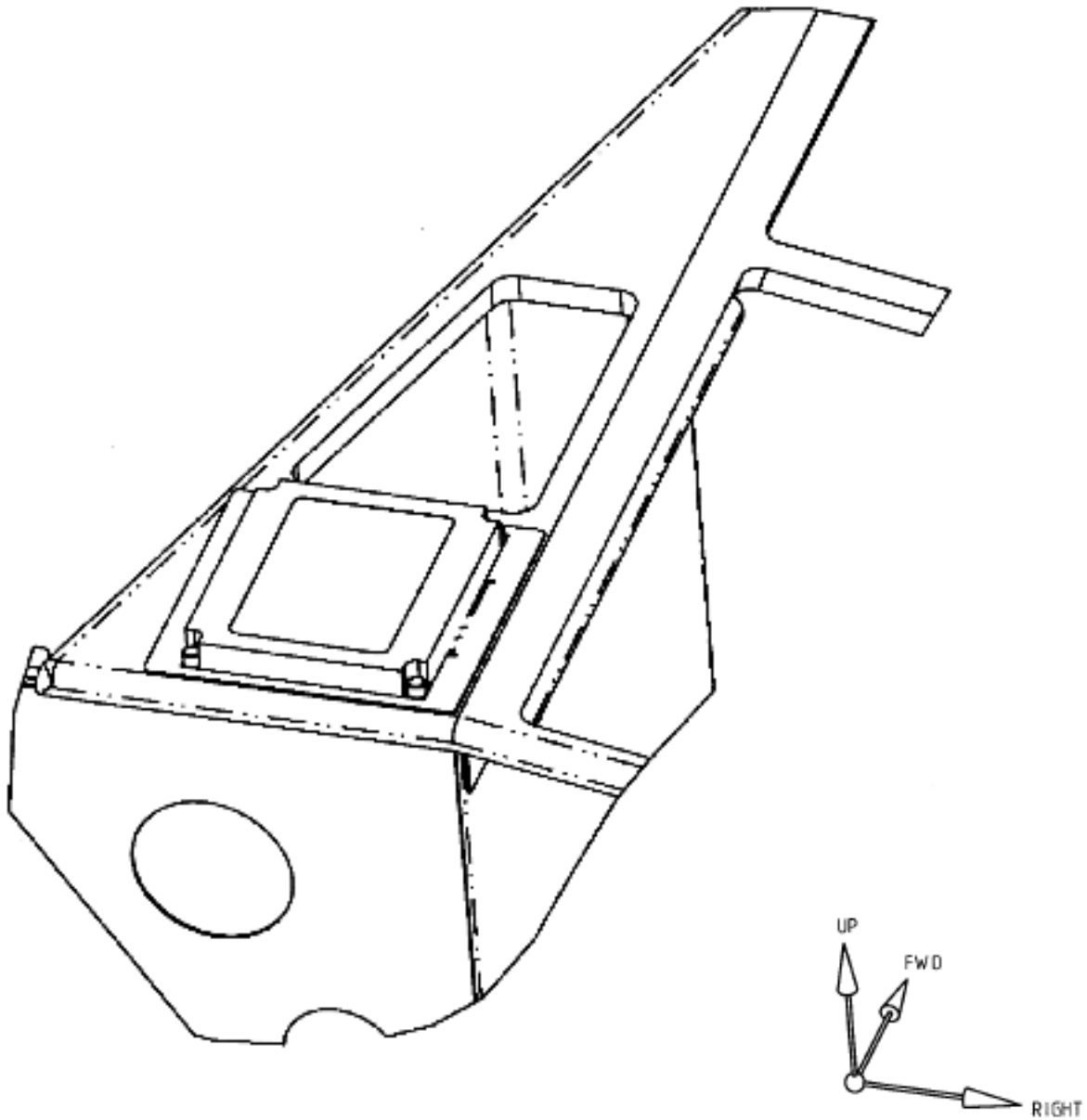


FIGURE 4 - CDMS MONITOR INSTALLATION, PILOT

## FAA STC ST02612CH | EASA STC 03120

Installation of AD Aerospace Cockpit Door Monitoring system on Airbus A318, A319, A320 & A321 Series Aircraft

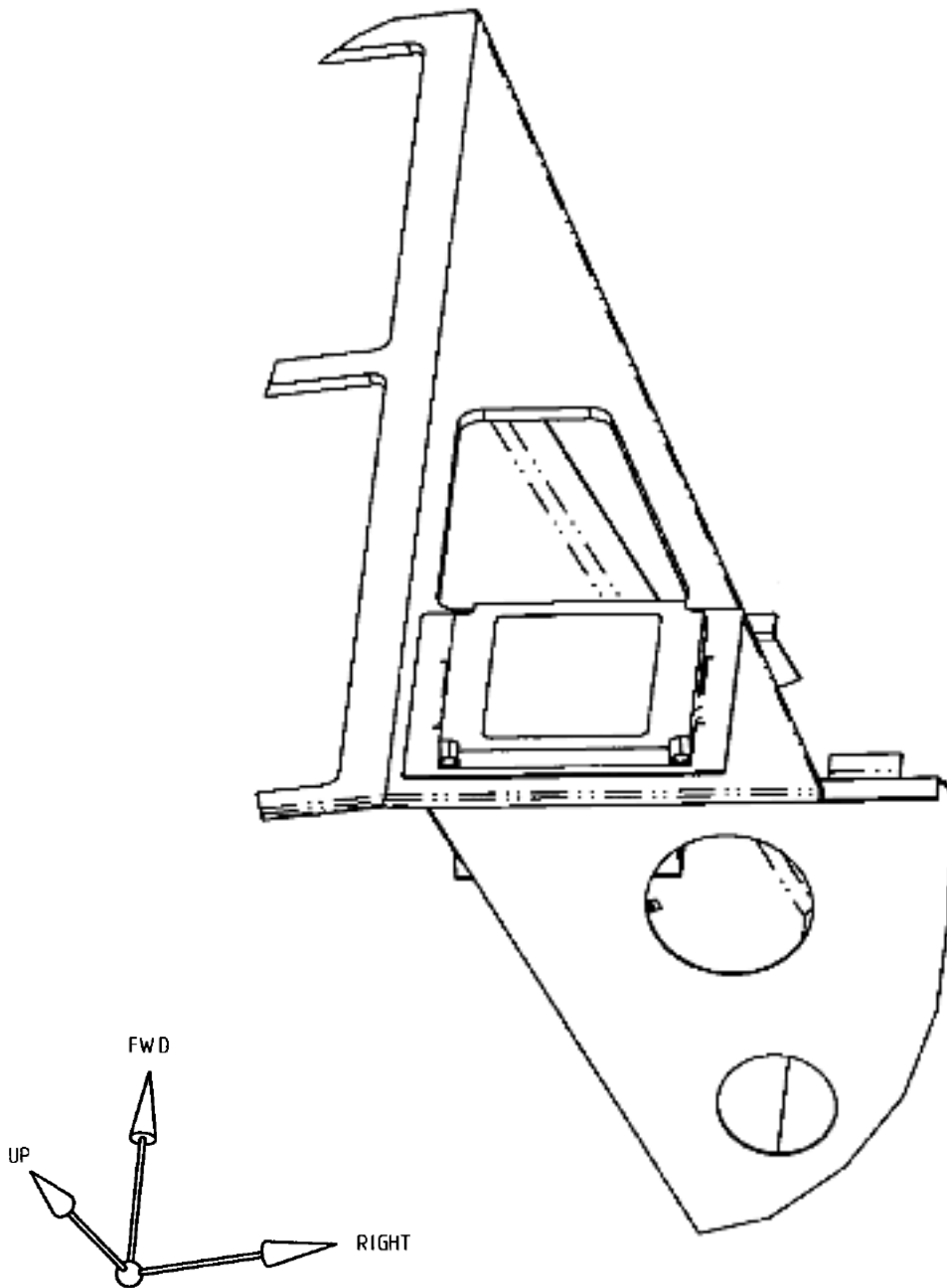


FIGURE 5 - CDMS MONITOR INSTALLATION, CO-PILOT

# FAA STC ST02612CH | EASA STC 03120

Installation of AD Aerospace Cockpit Door Monitoring system on Airbus A318, A319, A320 & A321 Series Aircraft

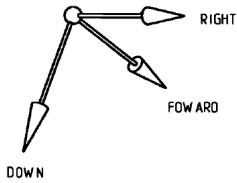
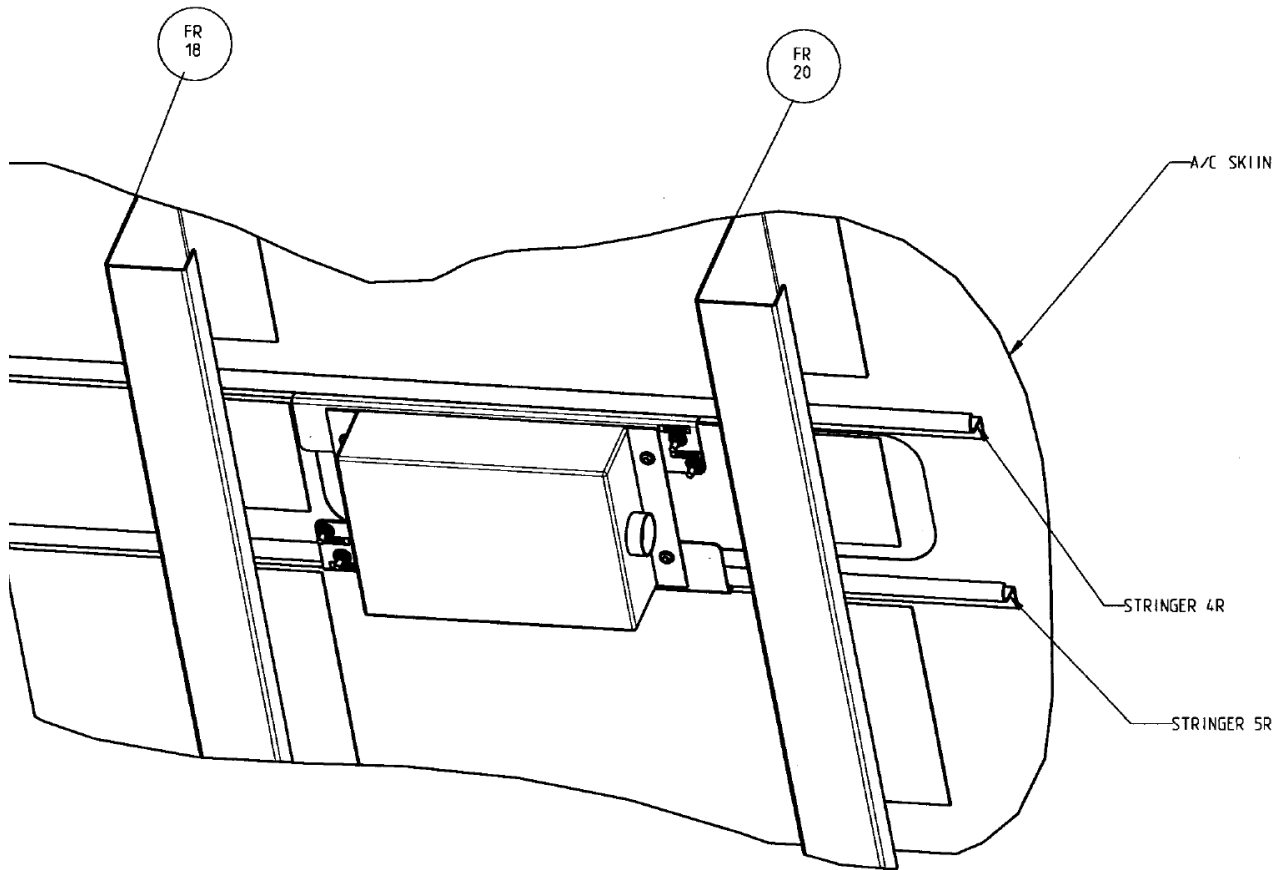


FIGURE 6 - CDMS VIDEO SWITCH INSTALLATION

# FAA STC ST02612CH | EASA STC 03120

Installation of AD Aerospace Cockpit Door Monitoring system on Airbus A318, A319, A320 & A321 Series Aircraft

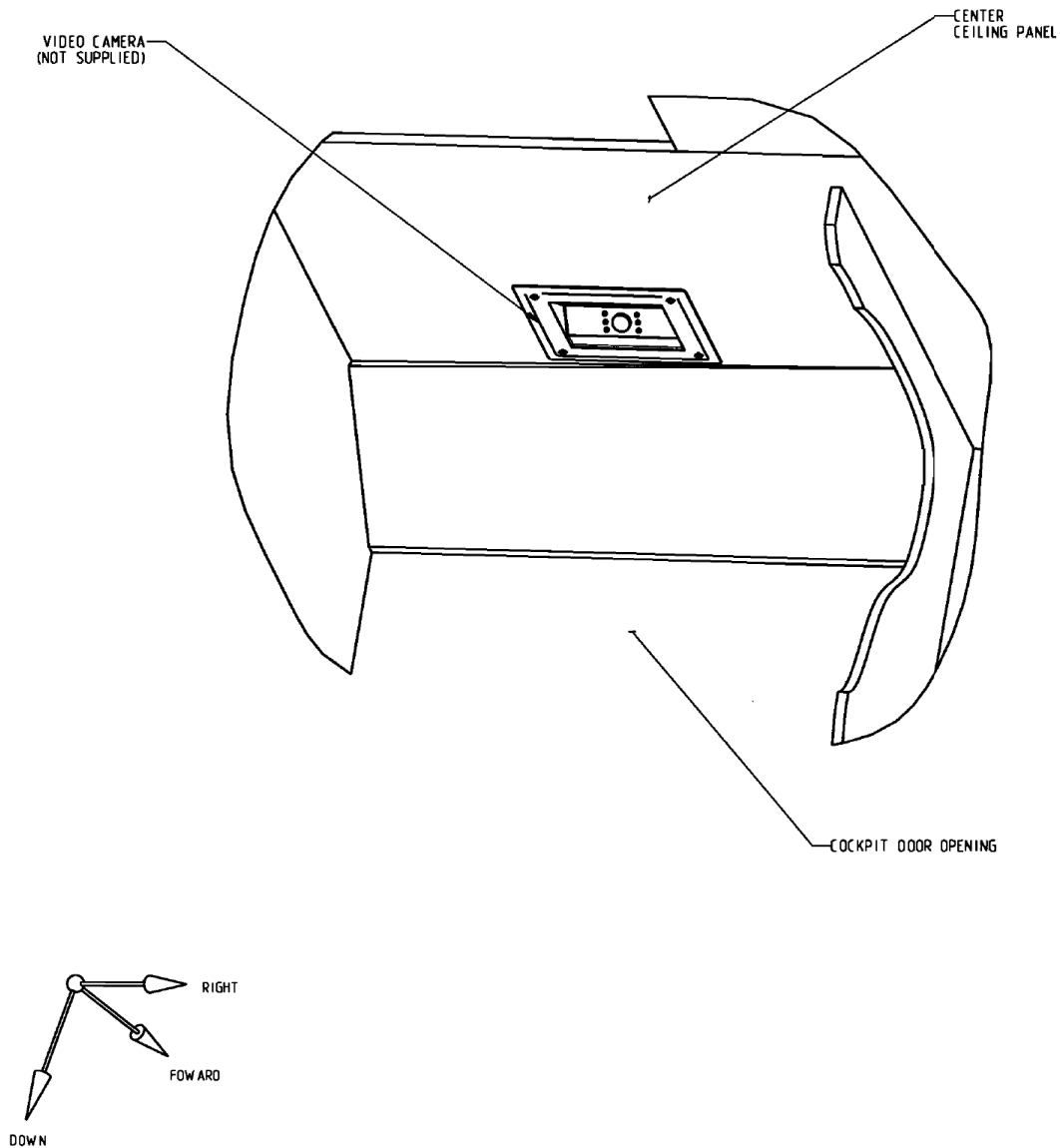


FIGURE 7 - CDMS VIDEO CAMERA 2 INSTALLATION



# FAA STC ST02612CH | EASA STC 03120

Installation of AD Aerospace Cockpit Door Monitoring system on Airbus A318, A319, A320 & A321 Series Aircraft

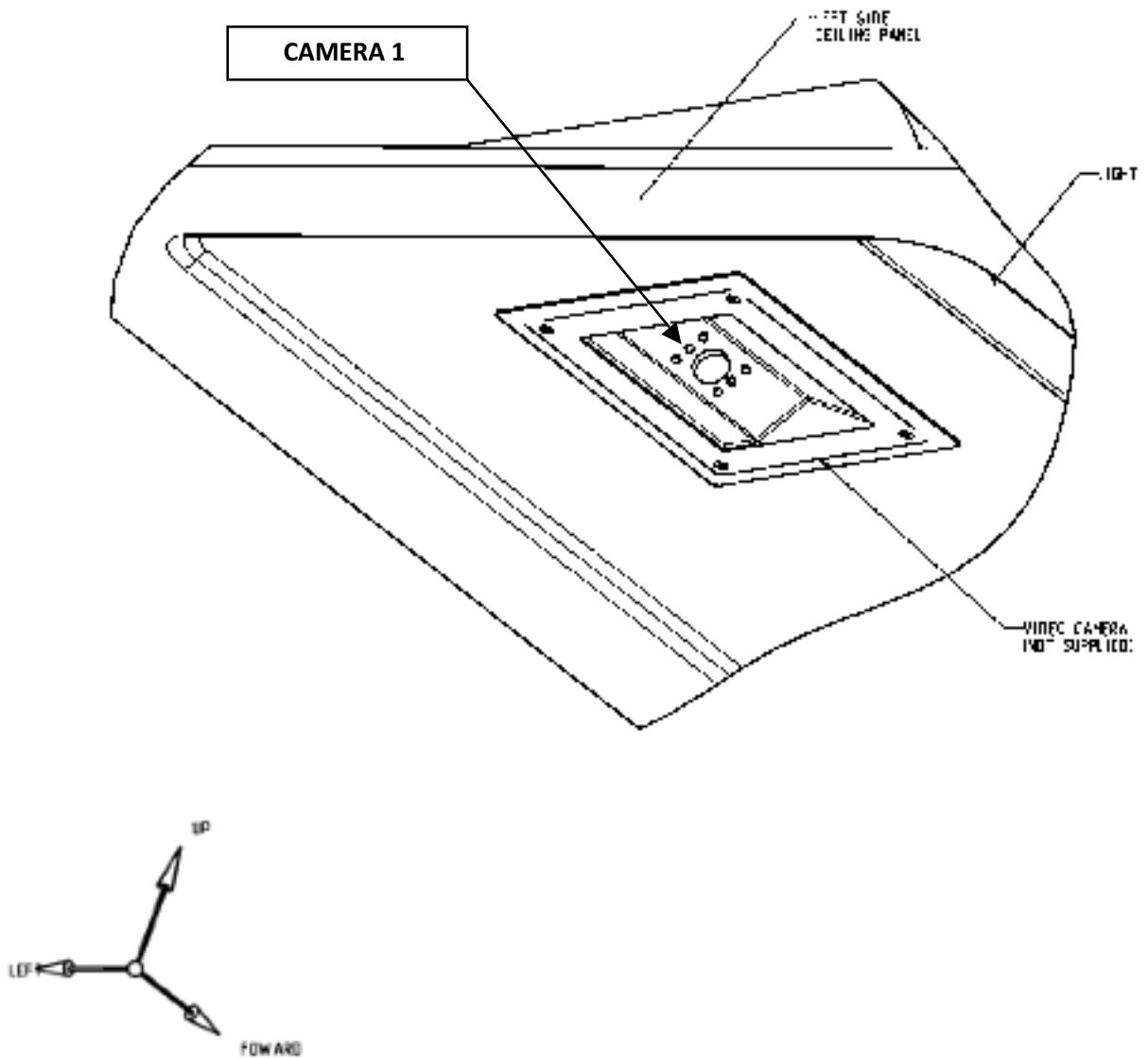


FIGURE 8 - CDMS VIDEO CAMERA 1 INSTALLATION

# FAA STC ST02612CH | EASA STC 03120

Installation of AD Aerospace Cockpit Door Monitoring system on Airbus A318, A319, A320 & A321 Series Aircraft

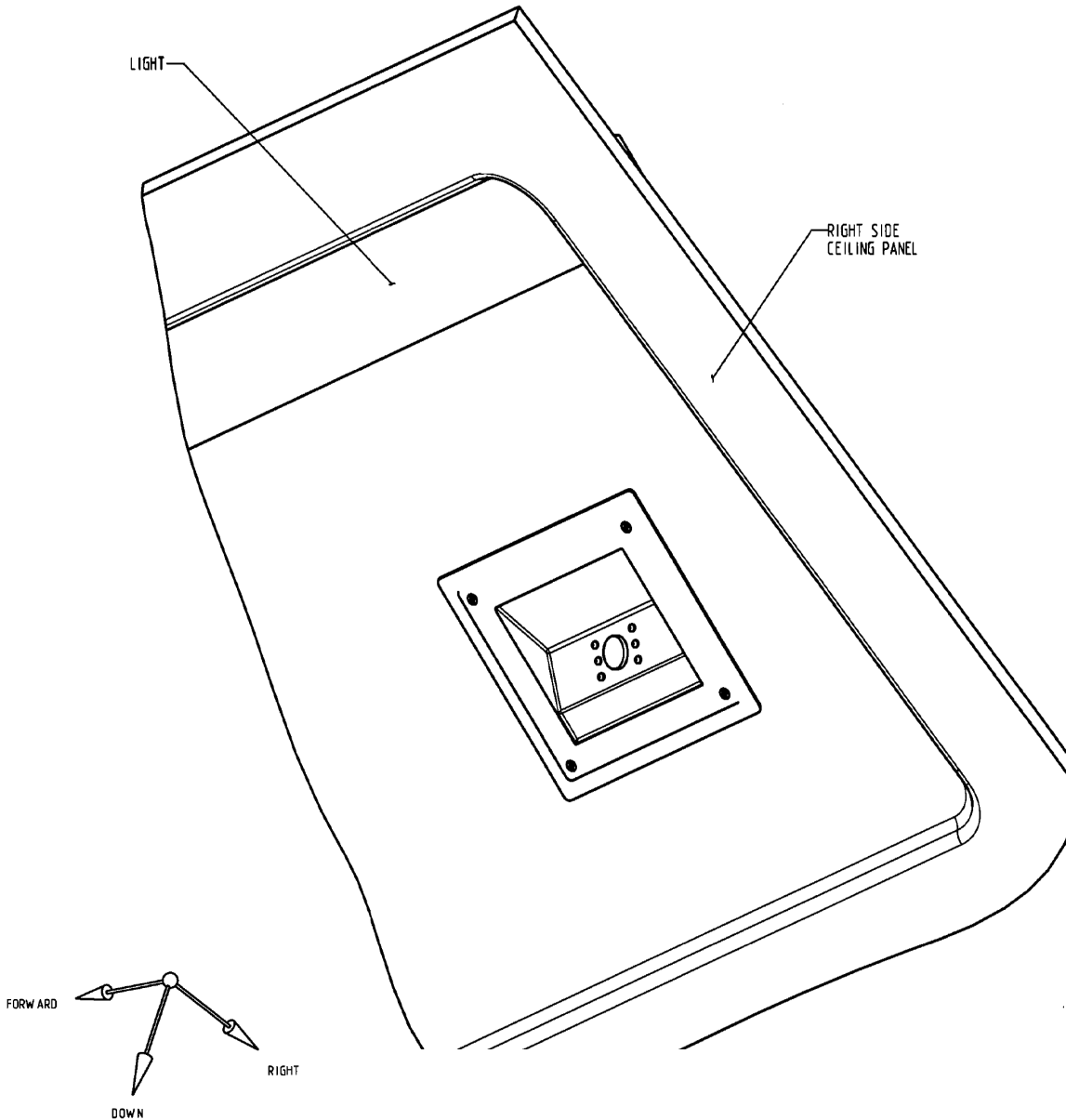


FIGURE 9 - CDMS VIDEO CAMERA 3 INSTALLATION