

FAA STC ST03224CH | EASA STC 10049398

Installation of Automatic Dependent Surveillance – Broadcast (ADS-B) Provisions & Mode-S Transponders on Boeing 757 Series Aircraft

OVERVIEW

- » FAA STC ST03224CH
- » European Aviation Safety Agency (EASA) STC 10049398

Governs the installation of EZMount tablet cradle assemblies in accordance with Electronic Cable Specialists (ECS) master data list ECS-210512.

YOUR NEEDS

Provides modernized mounting provisions to support use of an electronic flight bag (EFB) tablets on Boeing 737 series aircraft.

YOUR BENEFITS

When used in conjunction with STC ST02637, STC ST03224CH provides an approved method to secure an EFB tablet in the cockpit. Once installed, the a complete EFB system will provide flight crews the ability to interact with electronic maps, charts, and manuals in lieu of accessing standard paper documentation. System installation will reduce materials costs and aircraft weight without compromising ergonomic concerns.

STC AIRCRAFT EFFECTIVITY

- » Boeing 737-300/-400/-500/-600/-700/-700C/-800/-900/-900ER series aircraft.

STC CONFIGURATIONS & LIMITATIONS

- » **Configuration 1:** Installation of two EZMount tablet cradle (8.2" x 10.7") assemblies onto existing EZMount Pivot mounting provisions on the captain's and first officer's cockpit sliding windows.
- » **Configuration 2:** Installation of two EZMount tablet cradle (8.5" x 11.2") assemblies onto existing EZMount Pivot mounting provisions on the captain's and first officer's cockpit sliding windows.

STC Limitations: EZMount mechanical mounting assemblies, Configurations 2 or 4, must be installed prior to or in conjunction with this STC.

PRODUCT DESCRIPTION

- » This project installs ECS EZMount tablet cradles onto existing EZMount Pivot mounting assemblies.

ELECTRICAL CHANGES

- » No new wiring is installed or existing wiring modified by this installation.

FAA STC ST03224CH | EASA STC 10049398

Installation of Automatic Dependent Surveillance – Broadcast (ADS-B) Provisions & Mode-S Transponders on Boeing 757 Series Aircraft

MECHANICAL CHANGES

Configuration 1:

- » The EZMount tablet cradle is installed onto an existing EZMount Pivot mounting assembly. The EZMount tablet cradle installed for Configuration 1 is approximately 8.0" wide and 10.7" tall. See Figure 1.

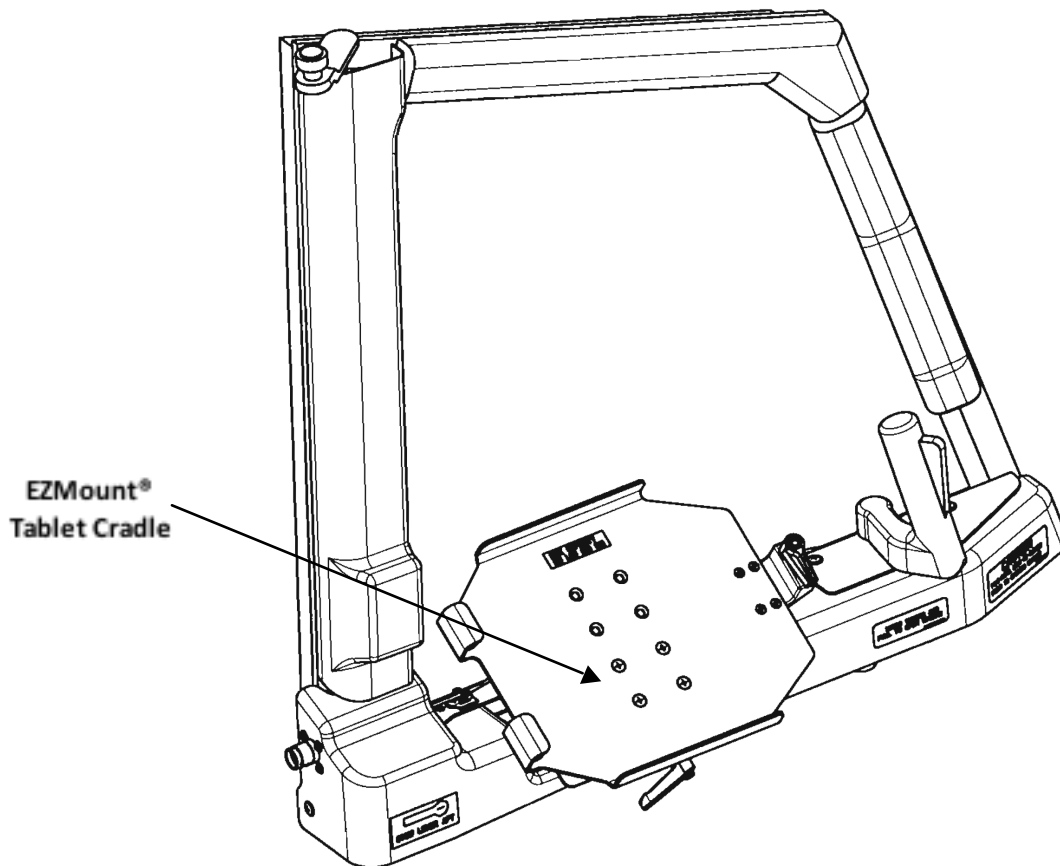


FIGURE 1:
Captain Side Window Modified with EZMount Tablet Cradle (8.0" X 10.7")
(First Officer Installation is Mirror Image)

FAA STC ST03224CH | EASA STC 10049398

Installation of Automatic Dependent Surveillance – Broadcast (ADS-B) Provisions & Mode-S Transponders on Boeing 757 Series Aircraft

Configuration 2:

- » The EZMount tablet cradle is installed onto an existing EZMount Pivot mounting assembly. The EZMount tablet cradle installed for Configuration 1 is approximately 8.0” wide and 10.7” tall. See Figure 2.

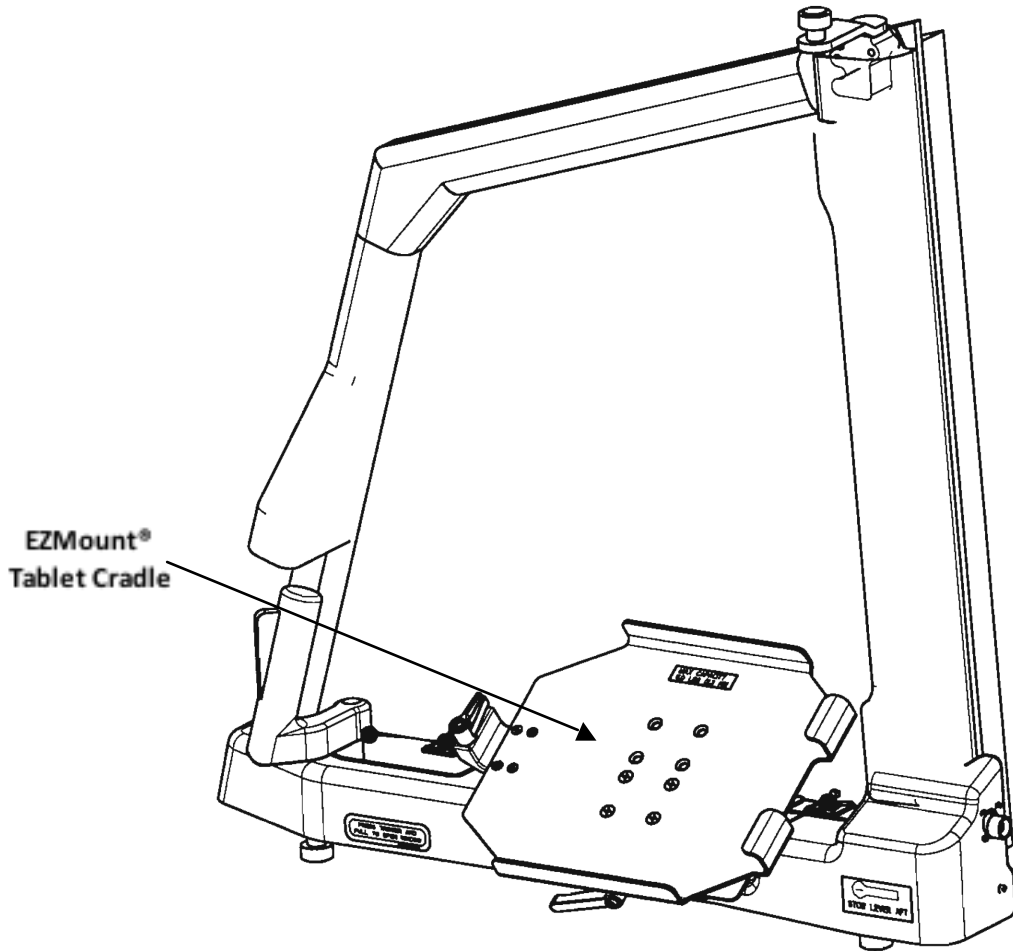


FIGURE 2:
Captain Side Window Modified with EZMount Tablet Cradle (8.5” X 11.2”)
(First Officer Installation is Mirror Image)